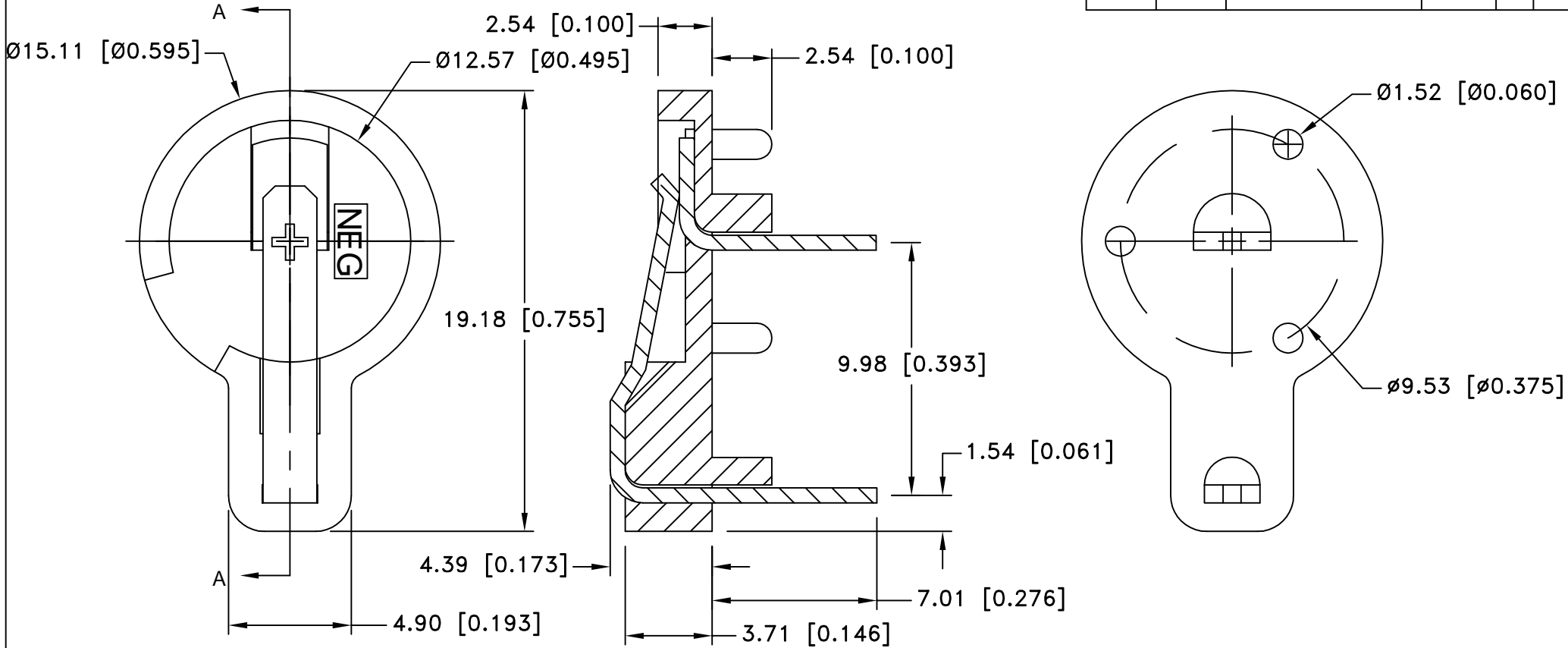


PCB LAYOUT


Date	SYM	REVISION RECORD	AUTH	DR.	CK.
05/03/03	A	ALL DIM. CHANGED TO 3 DECIMAL POINT CONTACTS MTL. CHANGED TO PHOSPHOR BRONZE	T.B.	B.S.	
03/26/05	B	4.39 [0.173] WAS 4.34 [0.171]	T.B.	B.S.	
1/07/06	C	ADDED "ROHS COMPLIANT"	T.B.	B.S.	
2/25/06	D	LEAD FREE WAS Sn-Pb PLTD.	T.B.	B.S.	



NOTES:

MATERIAL:

- HOLDER: PBT POLYESTER, BLACK, UL94V-0
- POS. CONT.: PHOSPHOR BRONZE, SPRING TEMPER, NICKEL PLTD., LEAD FREE SOLDER TAILS
- NEG. CONT.: PHOSPHOR BRONZE, SPRING TEMPER, NICKEL PLTD., LEAD FREE SOLDER TAILS
- ROHS COMPLIANT

Tolerance (Except as noted)		Memory Protection Devices, Inc	
		200 Broad Hollow Road, Farmingdale, New York 11735	
decimal $\pm .5$ (.020)	Fractional $\pm .8$ (.030)	Title COIN CELL HOLDER	Scale
			Drawn By B.S. Approved By T.B.
Angular $\pm 3^\circ$	Date 2/25/06	Drawing Number BH501	